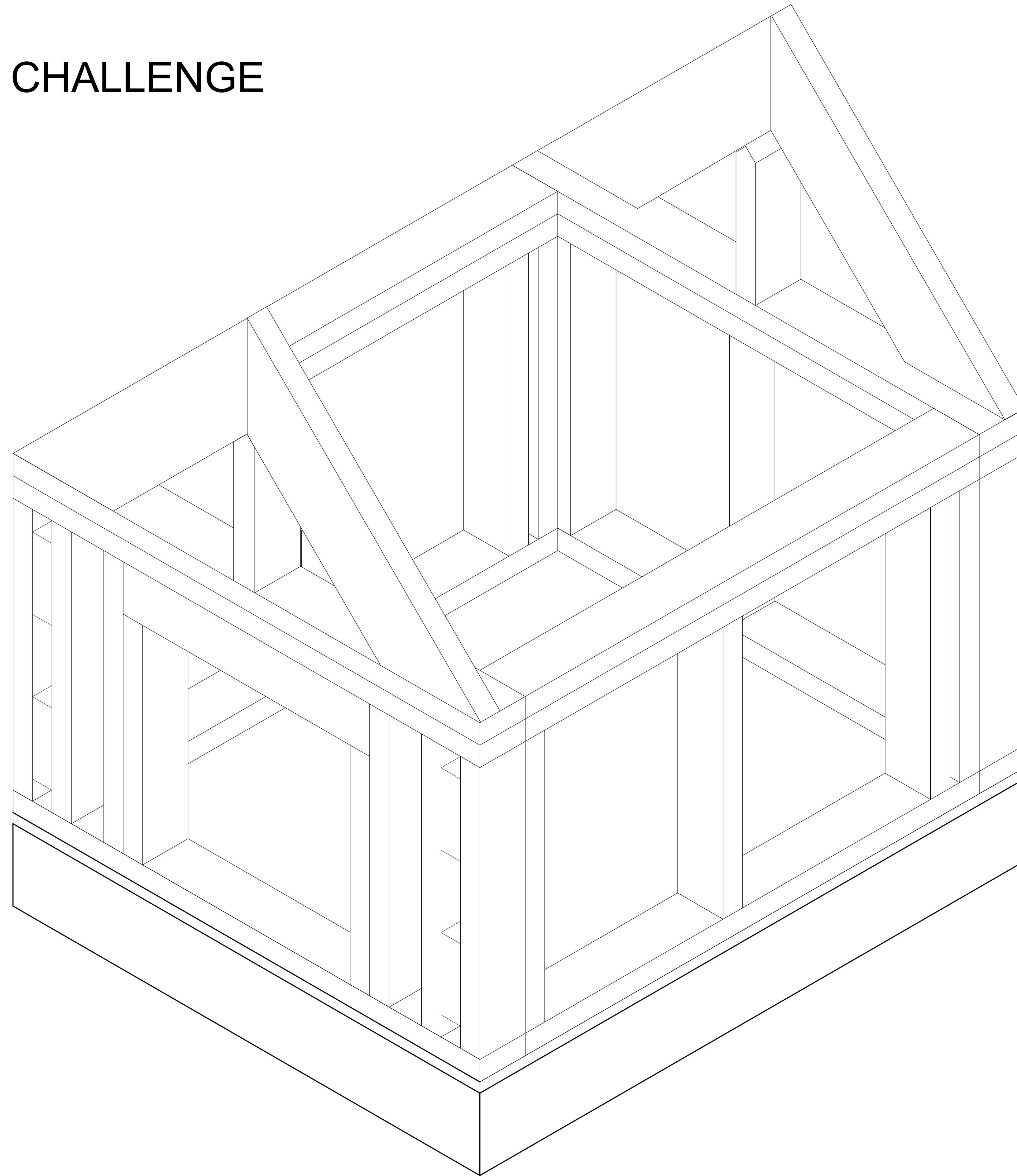


# ADVANCED CARPENTRY CHALLENGE



**DIVIDE DESIGN**  
a design collective

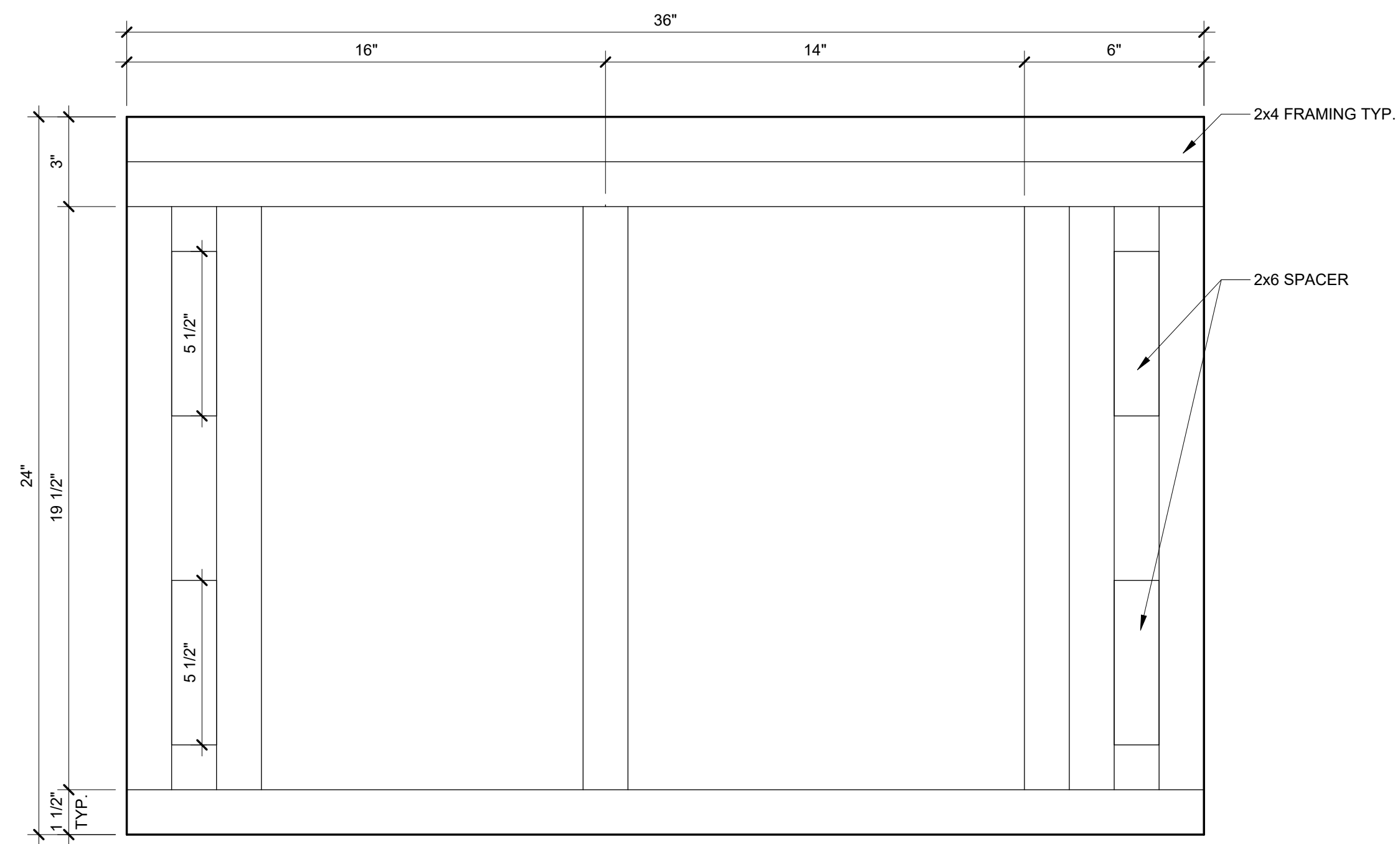
2312 Allard Ave. Grosse Pointe Woods, MI 48236  
e. wisniadp@gmail.com  
c. 734.812.2508

**ADVANCED CARPENTRY**

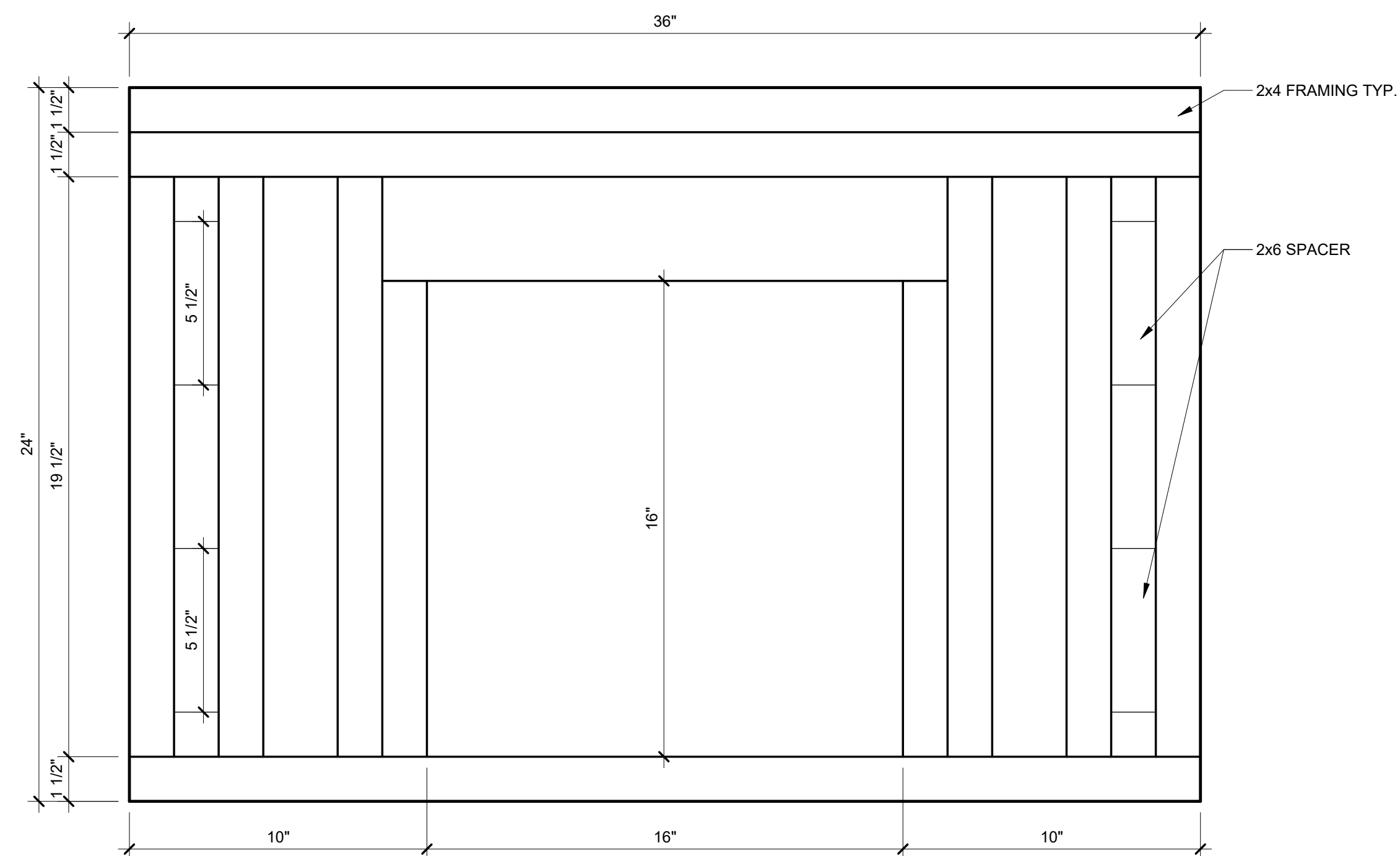
SHEET TITLE

**#3A**

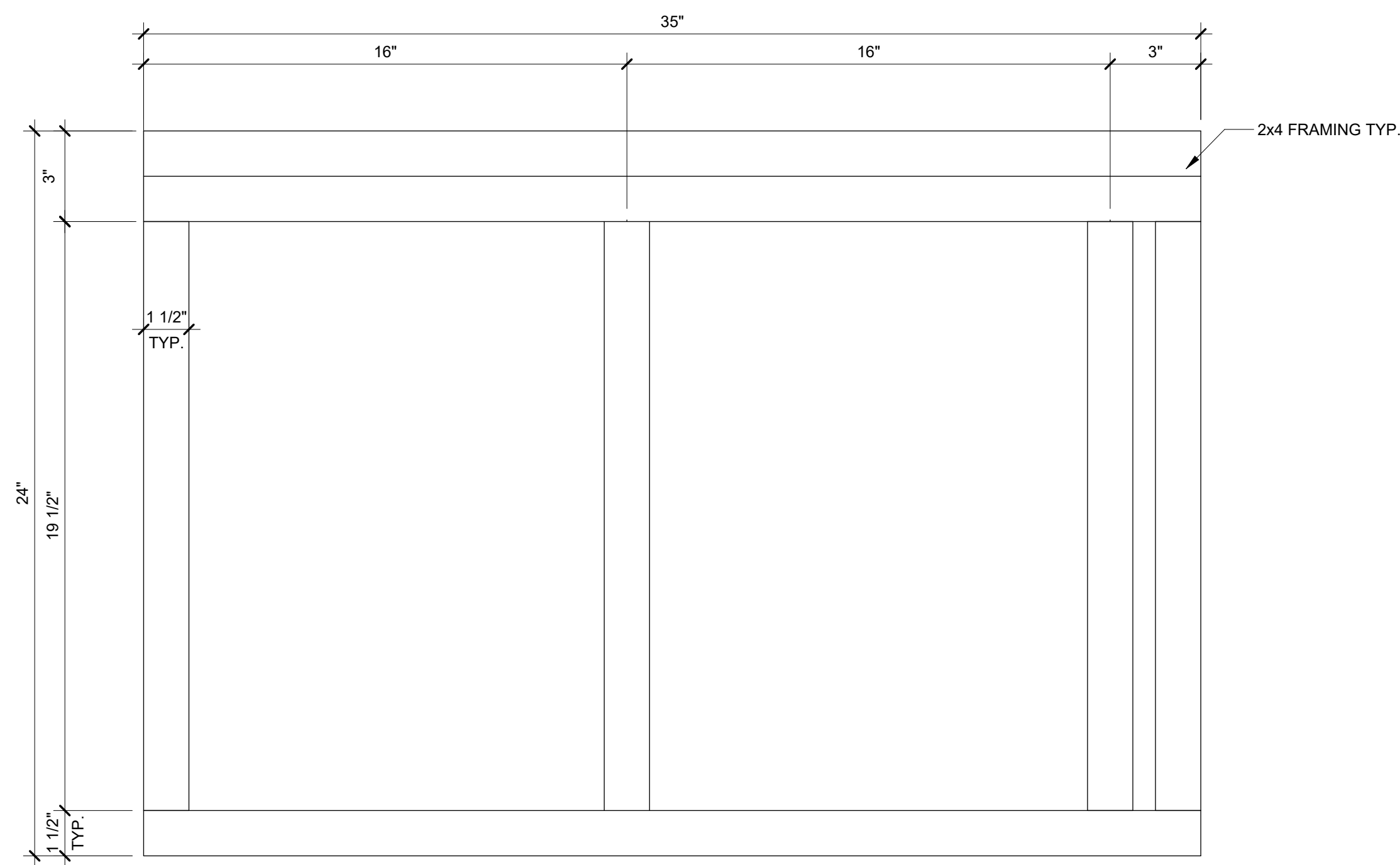
SHEET NUMBER



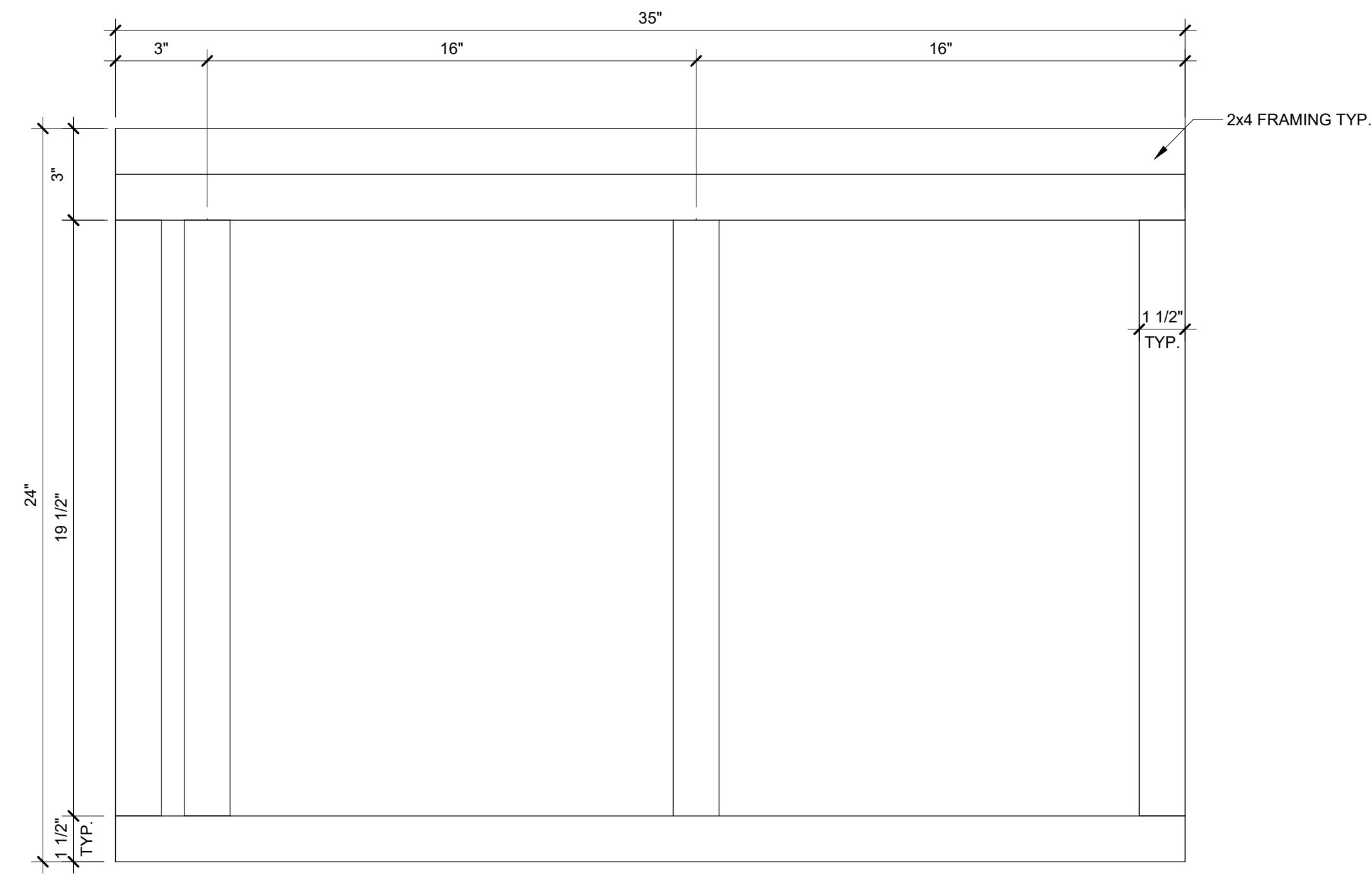
**3 BACK WALL FRAMING**  
SCALE: 3" = 1'-0"



**4 FRONT WALL FRAMING**  
SCALE: 3" = 1'-0"



**1 RIGHT SIDE WALL FRAMING**  
SCALE: 3" = 1'-0"



**2 LEFT SIDE WALL FRAMING**  
SCALE: 3" = 1'-0"



**DIVIDE DESIGN**  
a design collective

2312 Allard Ave. Grosse Pointe Woods, MI 48236  
e. wisniadp@gmail.com  
c. 734.812.2508

**ADVANCED CARPENTRY**

SHEET TITLE

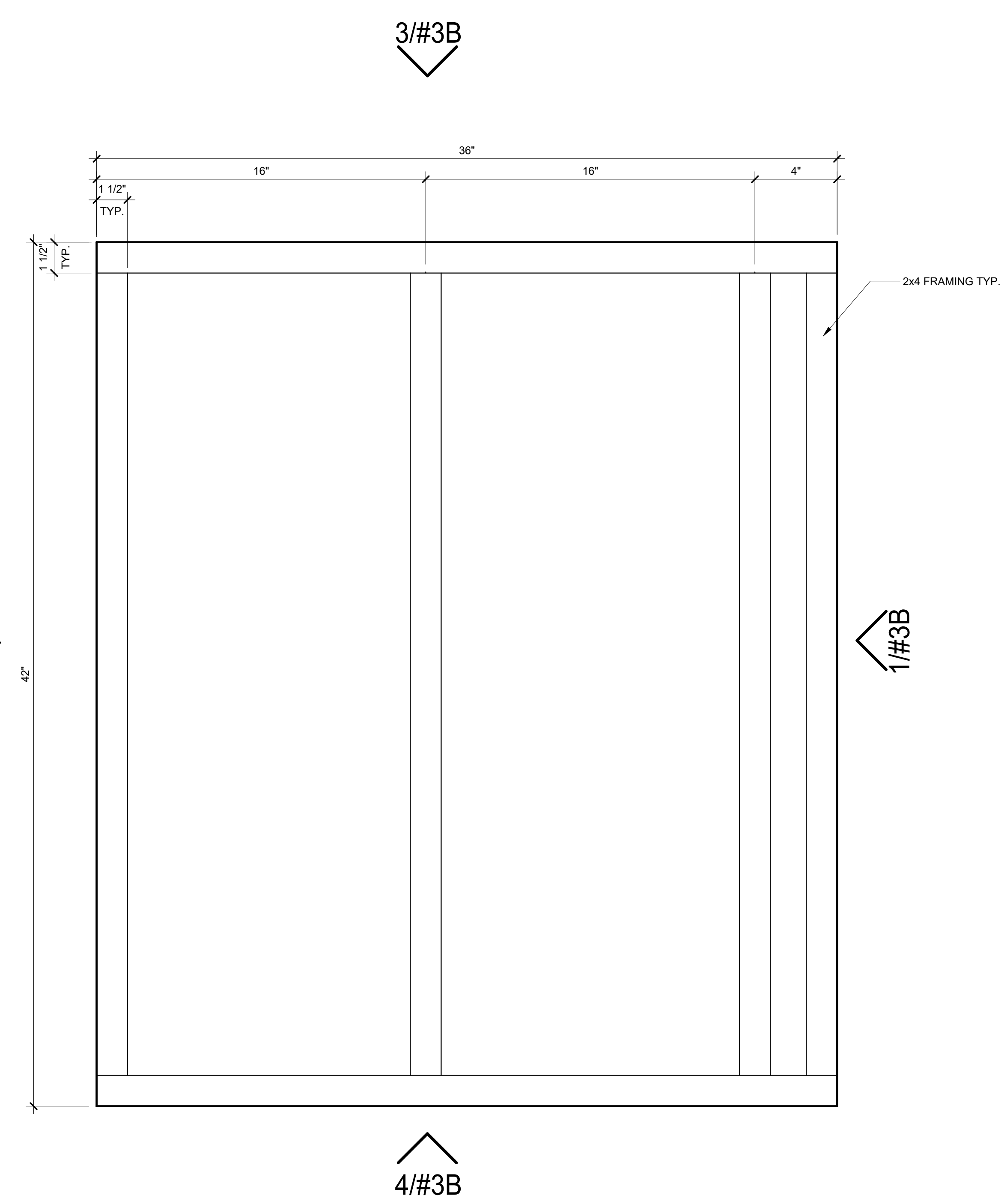
**#3B**

SHEET NUMBER

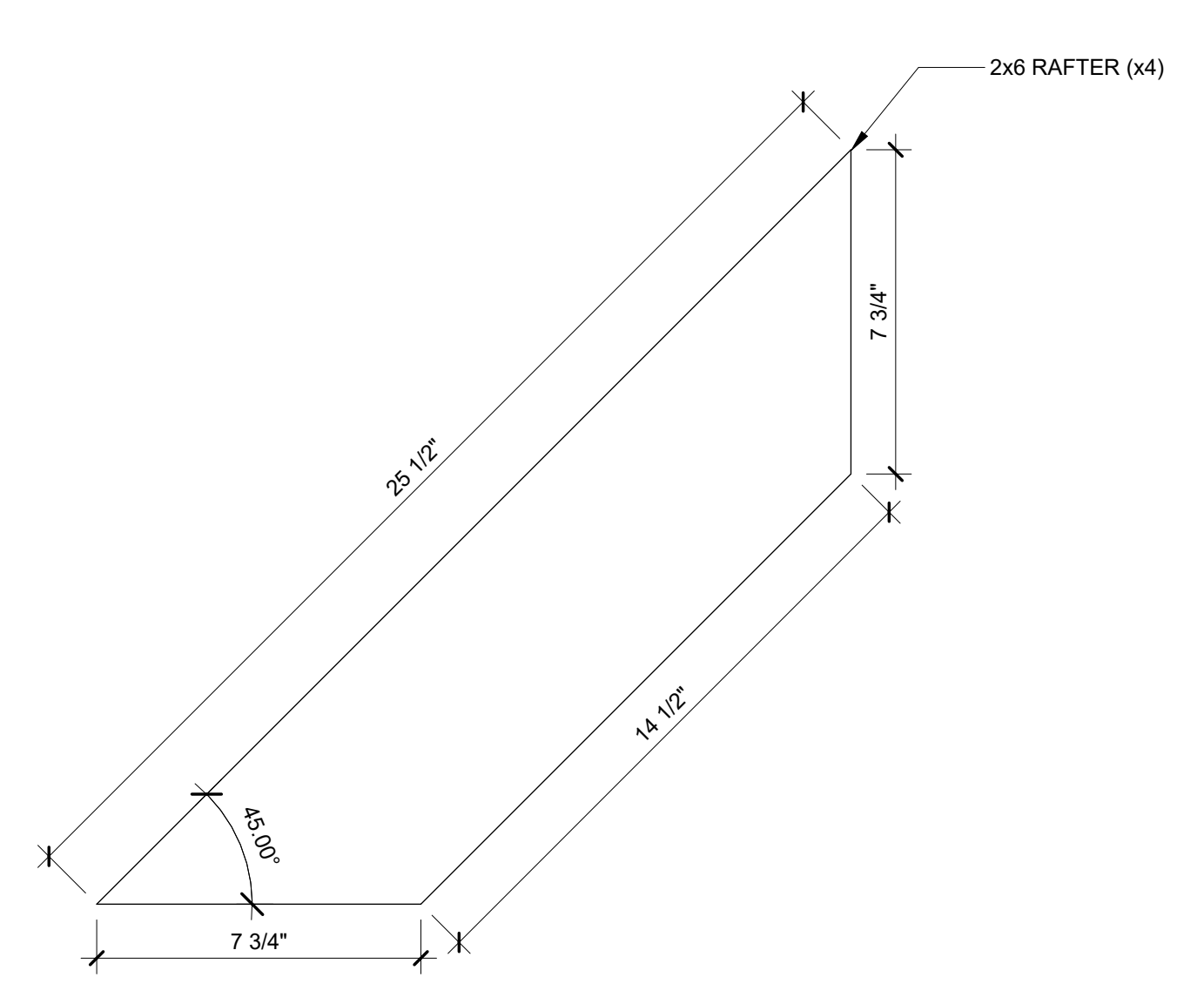
1 2 3 4 5 6 7

F  
E  
D  
C  
B  
A

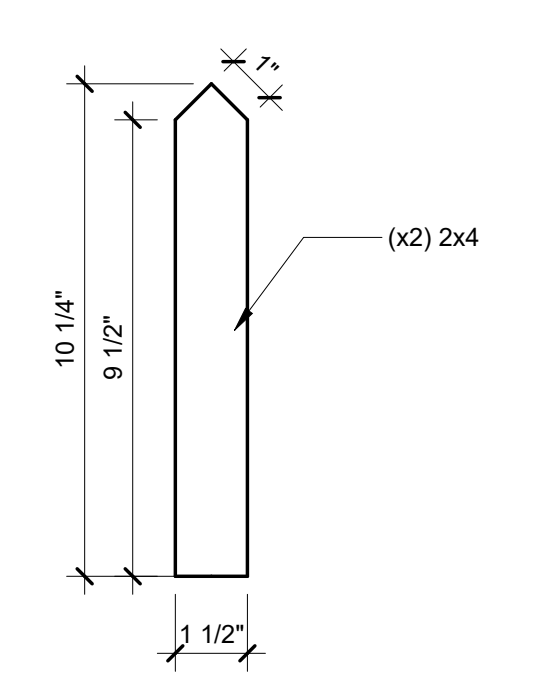
2/#3B



1 FLOOR FRAMING  
SCALE: 3" = 1'-0"



2 RAFTER FRAMING  
SCALE: 3" = 1'-0"



3 RAFTER SUPPORT  
SCALE: 3" = 1'-0"

1 2 3 4 5 6 7



**DIVIDE DESIGN**  
a design collective

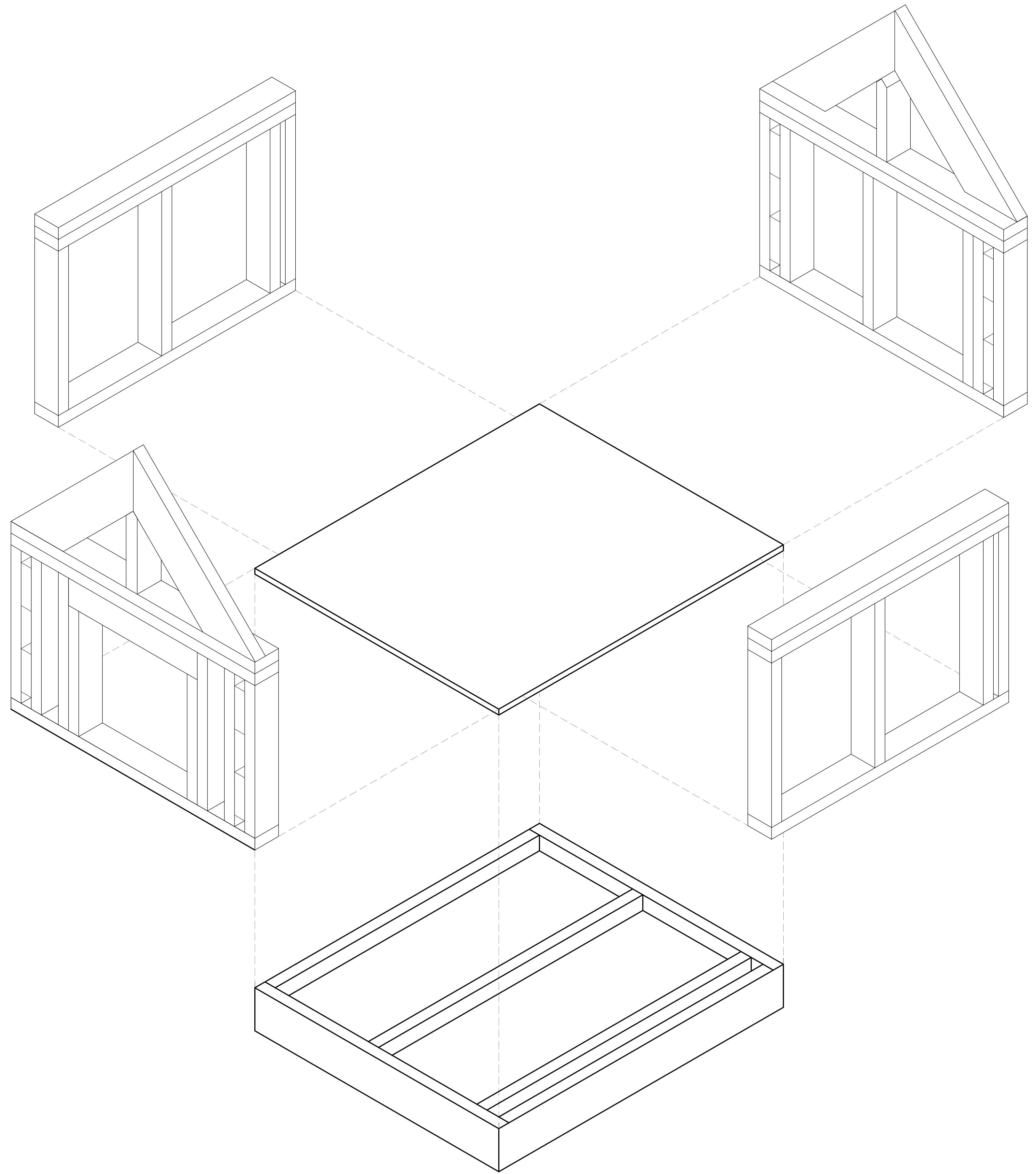
2312 Allard Ave. Grosse Pointe Woods, MI 48236  
e. wisniadp@gmail.com  
c. 734.812.2508

**ADVANCED CARPENTRY**

SHEET TITLE

**#3C**

SHEET NUMBER



1 EXPLODED ASSEMBLY  
SCALE: 1 1/2" = 1'-0"



**DIVIDE DESIGN**  
a design collective

2312 Allard Ave. Grosse Pointe Woods, MI 48236  
e. wisniadp@gmail.com  
c. 734.812.2508

**ADVANCED CARPENTRY**

SHEET TITLE

**#3D**

SHEET NUMBER