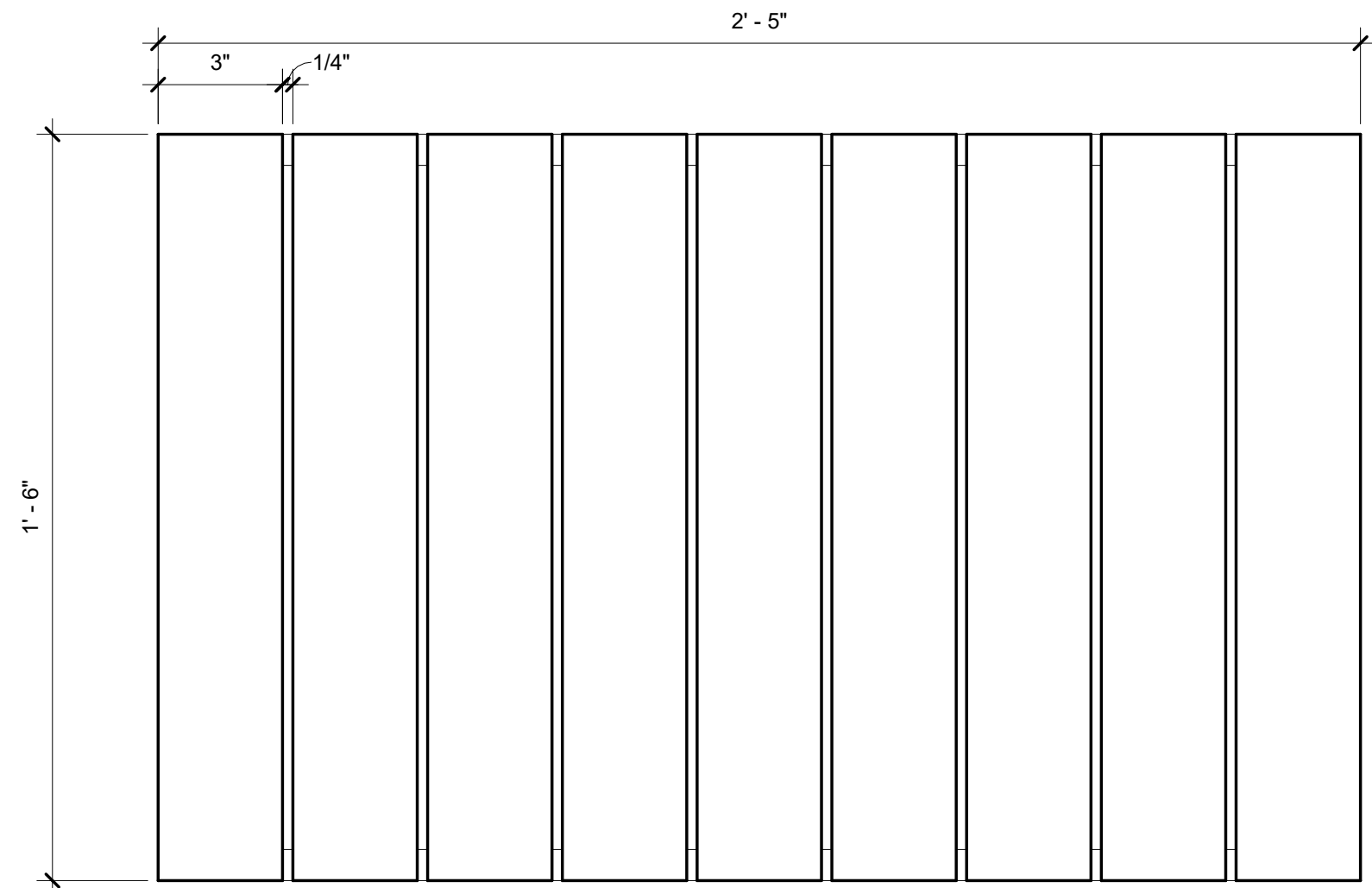
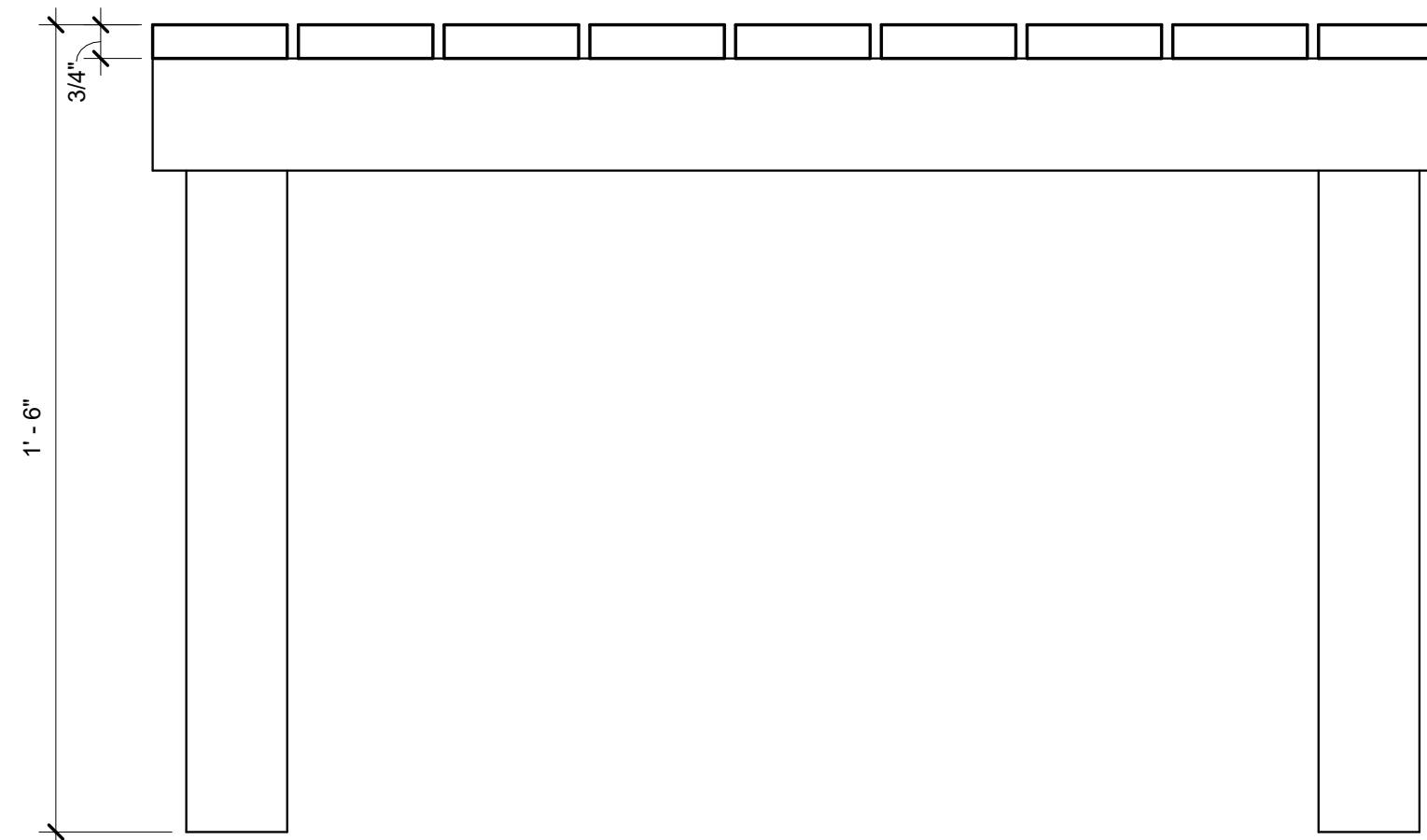


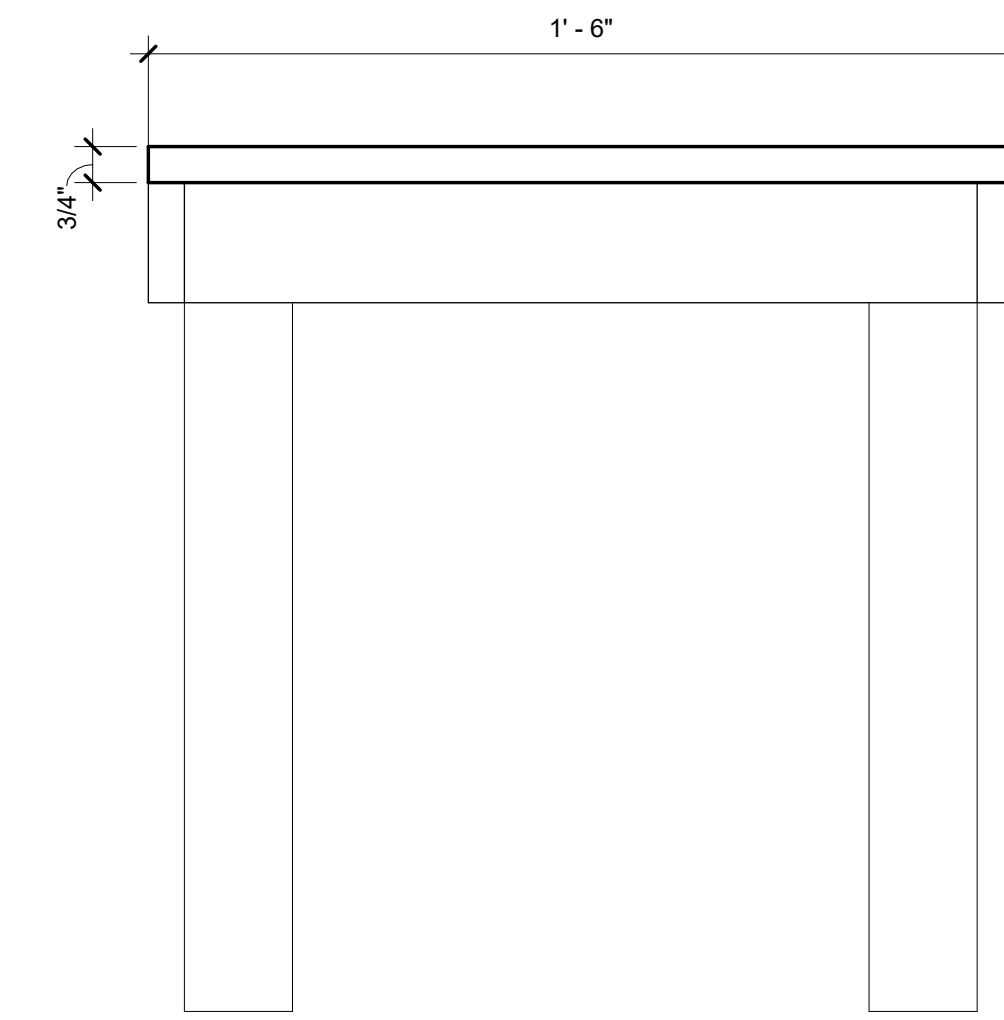
BEGINNER CARPENTRY CHALLENGE



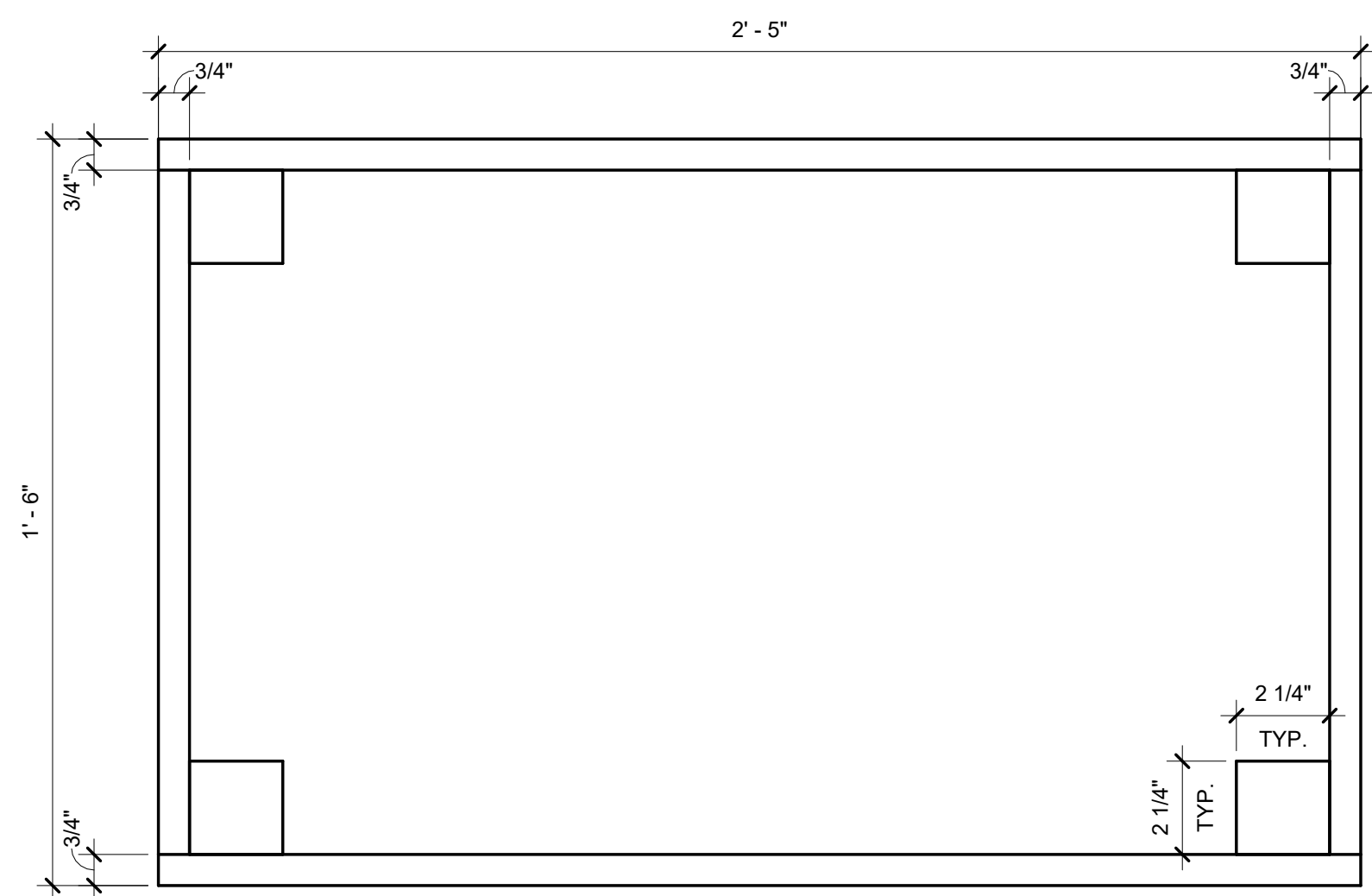
3 TOP VIEW
SCALE: 3" = 1'-0"



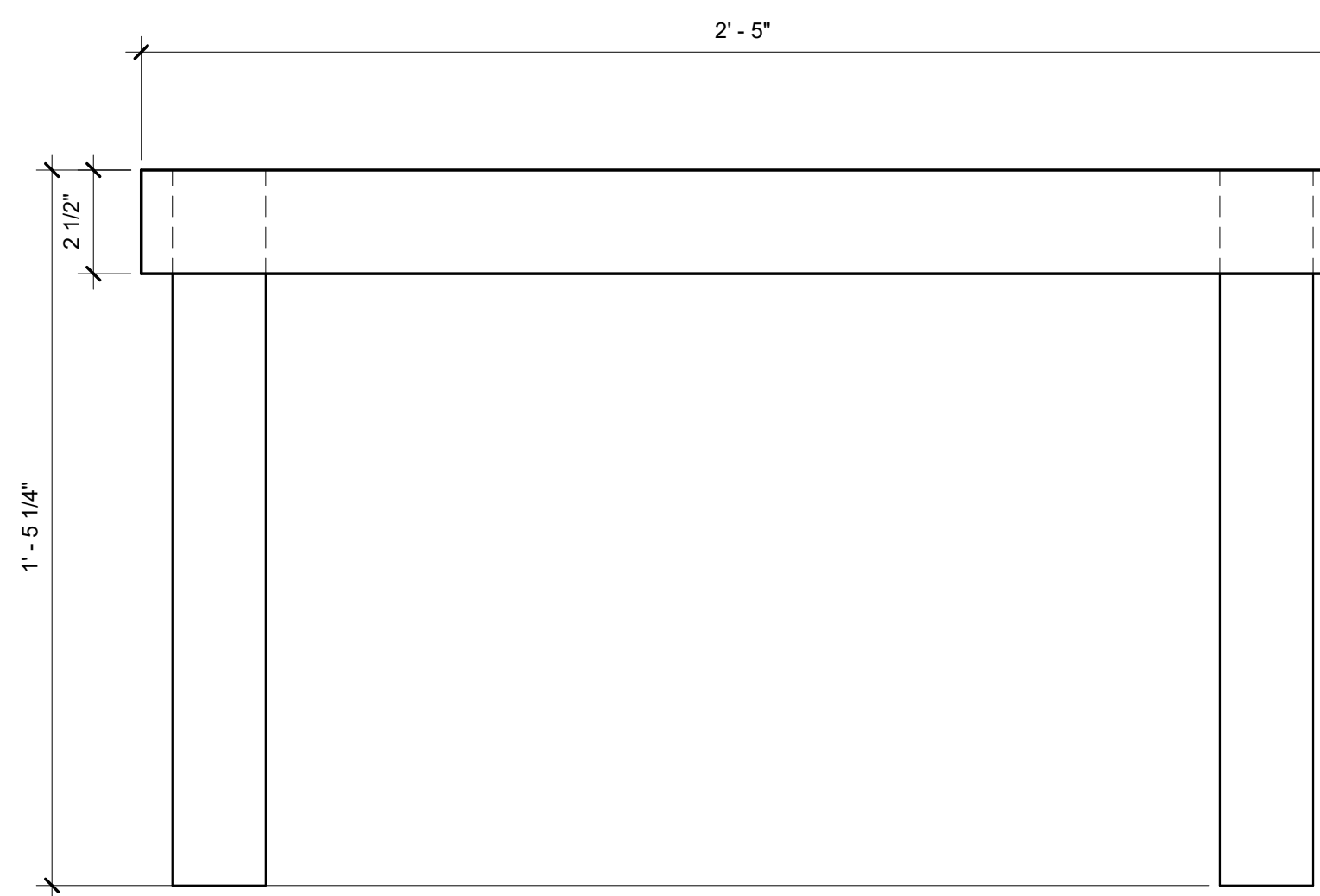
4 FRONT VIEW
SCALE: 3" = 1'-0"



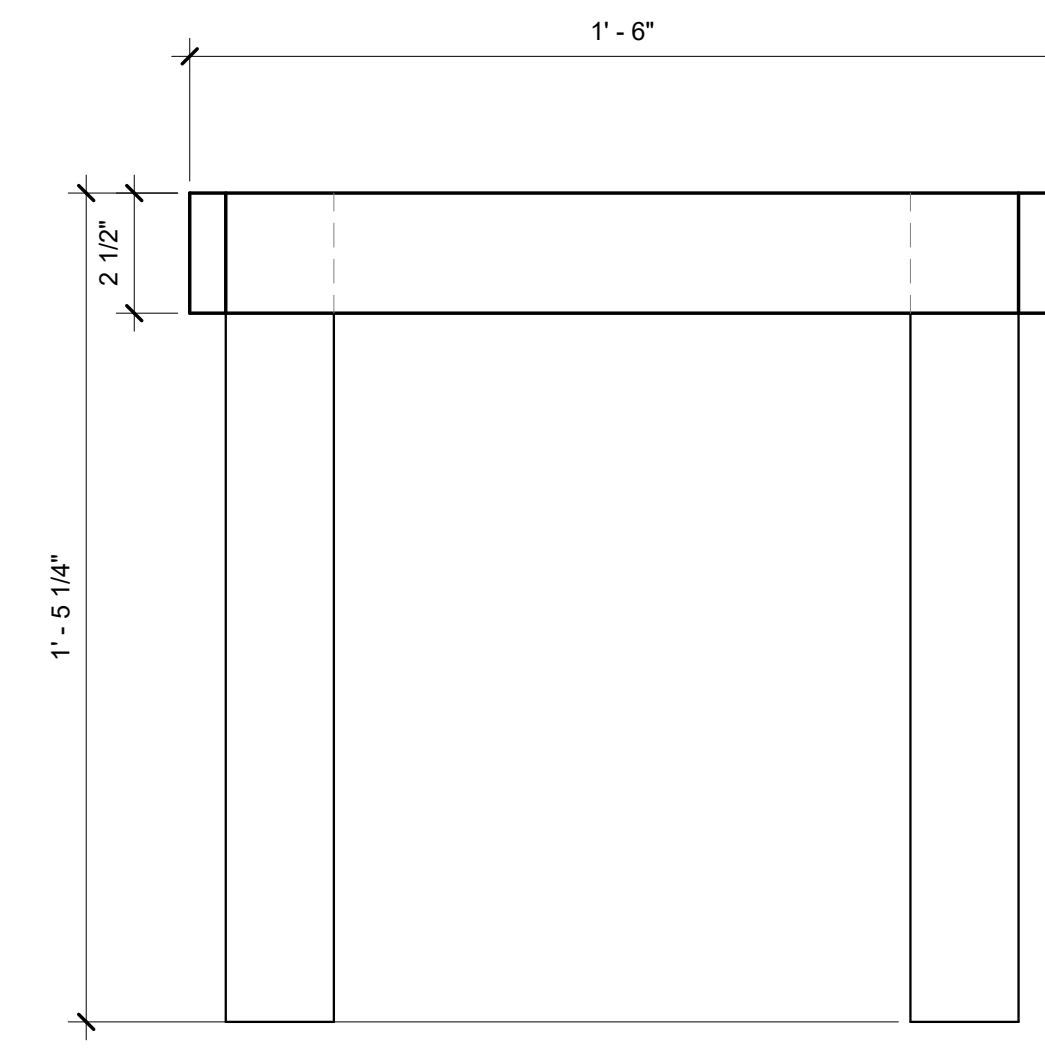
6 SIDE VIEW
SCALE: 3" = 1'-0"



1 FRAME TOP VIEW
SCALE: 3" = 1'-0"



2 FRAME FRONT VIEW
SCALE: 3" = 1'-0"



5 FRAME SIDE VIEW
SCALE: 3" = 1'-0"



DIVIDE DESIGN
a design collective

2312 Allard Ave. Grosse Pointe Woods, MI 48236
e. wisniadp@gmail.com
c. 734.812.2508

BEGINNER CARPENTRY

SHEET TITLE

#2A

SHEET NUMBER

1 2 3 4 5 6 7

F

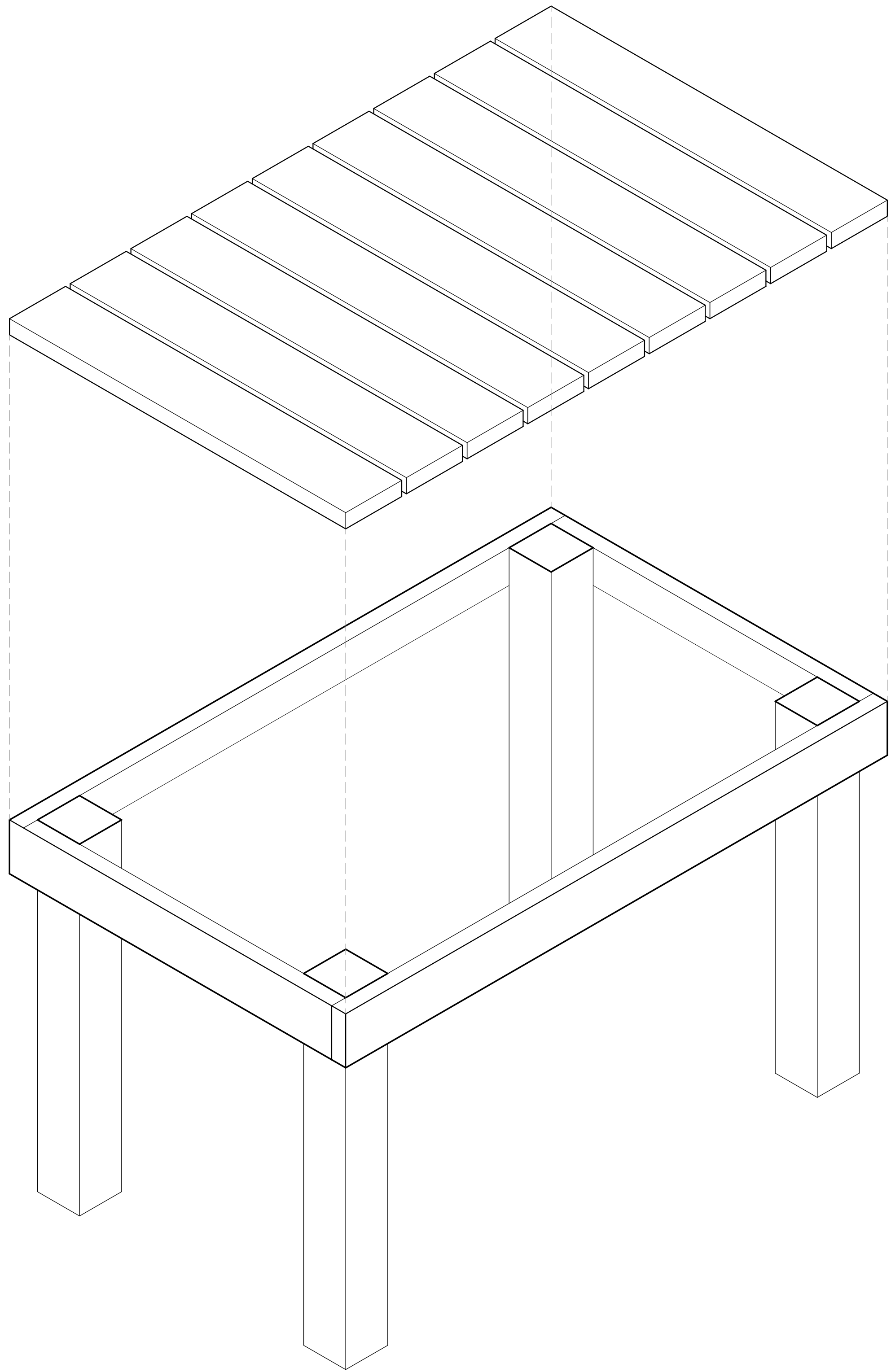
E

D

C

B

A



1 ASSEMBLY
SCALE: 3" = 1'-0"

1 2 3 4 5 6 7

F

E

D

C

B

A



DIVIDE DESIGN
a design collective

2312 Allard Ave. Grosse Pointe Woods, MI 48236
e. wisniadp@gmail.com
c. 734.812.2508

BEGINNER CARPENTRY

SHEET TITLE

#2B

SHEET NUMBER